



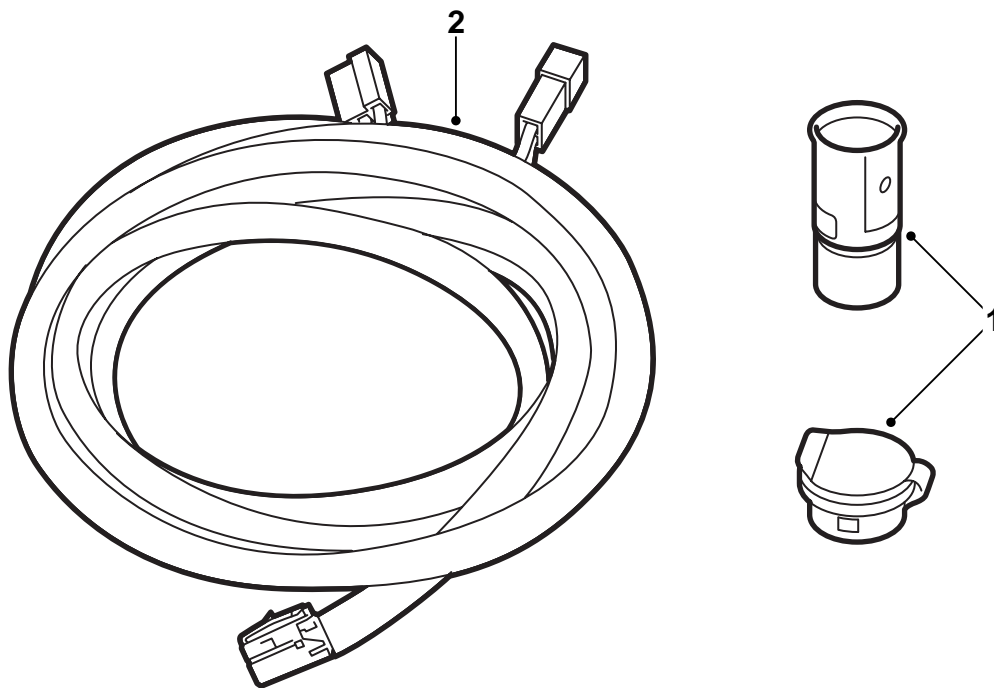
SAAB

**MONTERINGSANVISNING · INSTALLATION INSTRUCTIONS
MONTAGEANLEITUNG · INSTALLATIONS DE MONTAGE**

Saab 9-5 5D

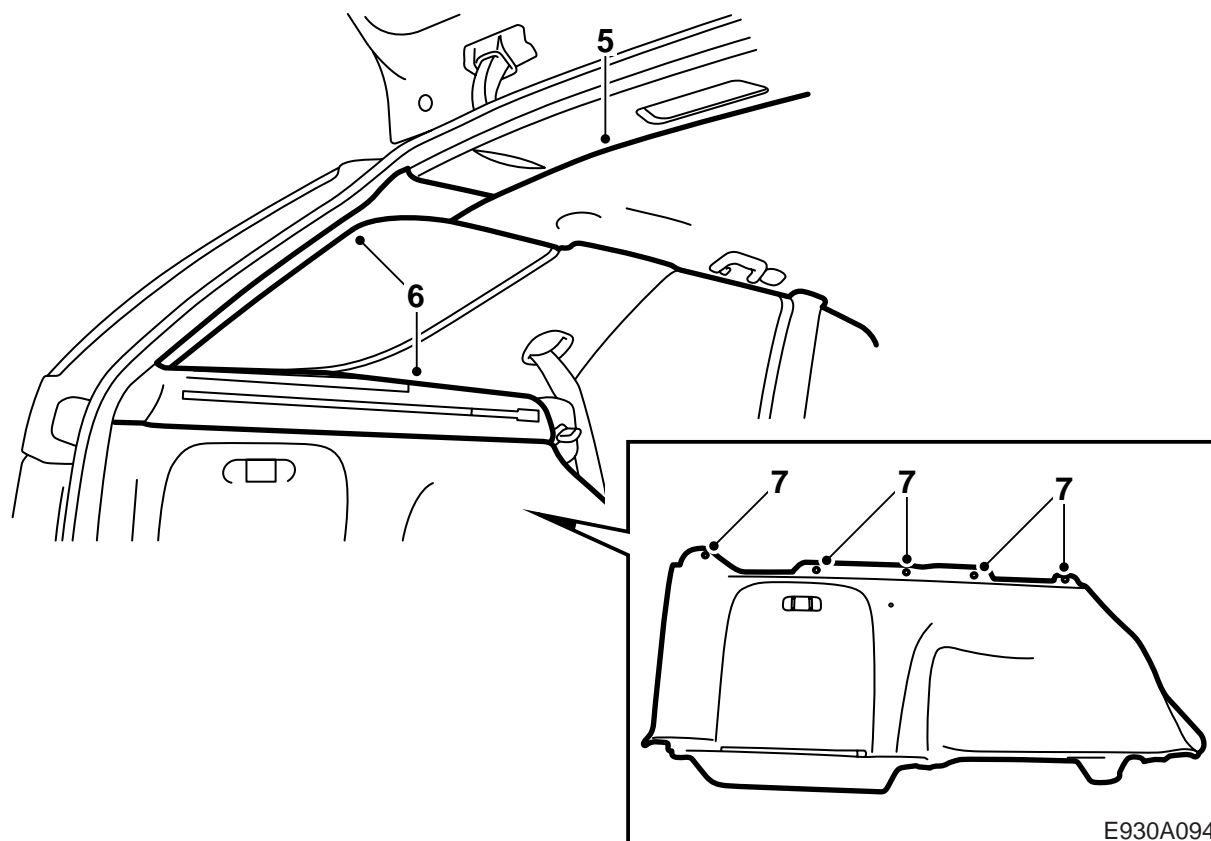
12 V socket in luggage compartment

Accessories Part No.	Group	Date	Instruction Part No.	Replaces
400 112 322	9:37-03	Mar 00	86 92 220	86 92 220 Jan 99



E930A093

- 1 12 V socket
- 2 Wiring harness

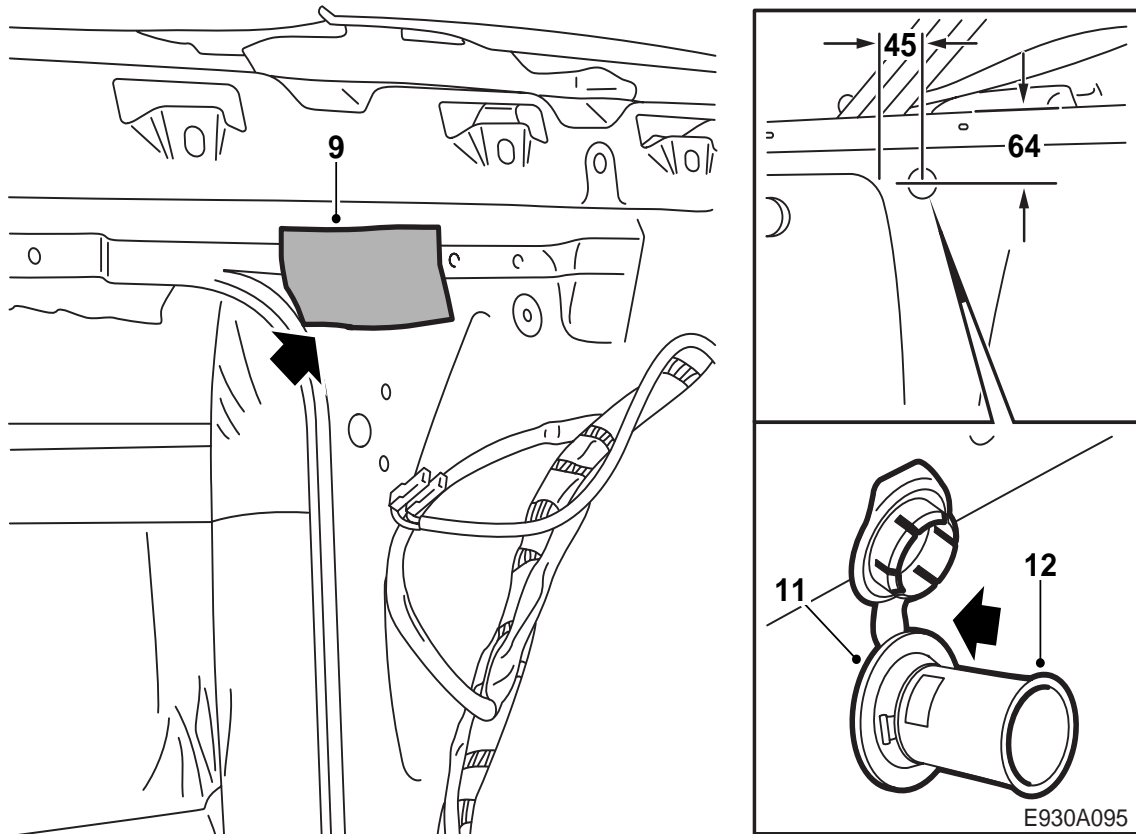


- 1 Fold forward the left-hand section of the rear seat cushion and the left-hand section of the backrest and remove the cover panel between the rear door and the backrest.
- 2 Lift out the concealing panel.
- 3 Remove the sill scuff plate.
- 4 Remove the left-hand storage compartment in the floor.
- 5 Undo the rear roof cover panel and unplug the lighting.
- 6 Remove the left-hand D-pillar trim and the left-hand concealing panel support (3 screws).
- 7 Remove the screws at the top of the left-hand side trim and remove the trim.

Important

If the car is fitted with CD-changer in the side-trim storage compartment, it must be disconnected.

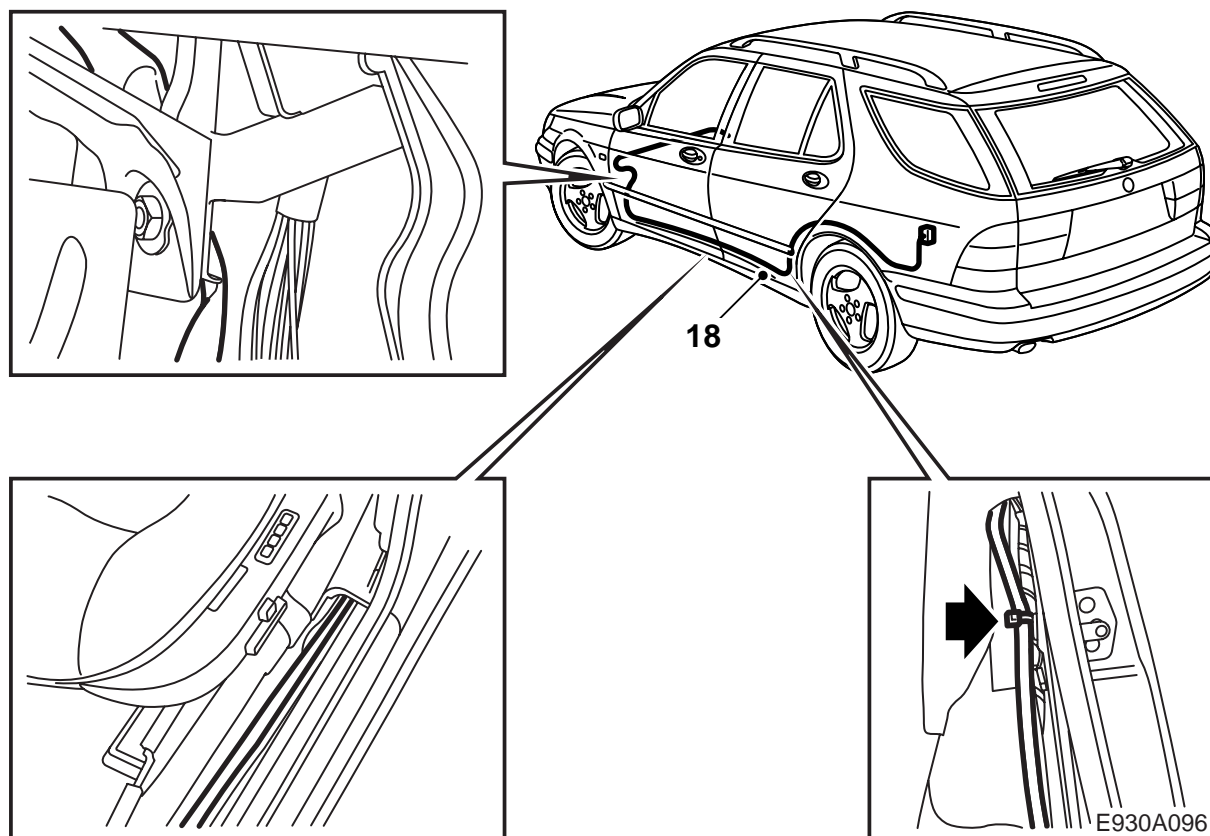
-
- 8 Remove the acoustic insulation under the left-hand belt reel in the rear seat.



- 9 Affix a piece of tape as illustrated.
- 10 Cut away the insulation from the back of the side trim within the area where the hole is to be made.
Drill a hole for the socket, see illustration, first with a drill corresponding to the size of the hole saw centre pin and then with a 29 mm hole saw.
- 11 Press in the black part of the socket into the hole. Make sure the hinged cap opens upwards.
- 12 Insert the shiny part into the black sleeve and press together.
- 13 Remove the sill scuff plates on the left-hand side.
- 14 Remove the cover panel under the left-hand side of the dashboard.
- 15 **RHD:** Remove the side trim on the centre console.
- 16 Remove the ACC unit, alternatively the heating and ventilation panel.
- 17 Disconnect the cigarette lighter and plug it into the male connector on the wiring harness. Then, plug the female connector on the wiring harness into the cigarette lighter.

Important

Adjust the length of the wiring harness so that it will be possible to disconnect it.



- 18 Lay the wiring harness along the car's wiring harness (it must be inserted into the wiring harness channel along the sills) up to the luggage compartment. The wiring harness must pass under the foam block and air duct by the left-hand B-pillar.
- 19 Connect the wiring harness to the 12 V socket and check that 12 V is present in the socket in the luggage compartment.

Important

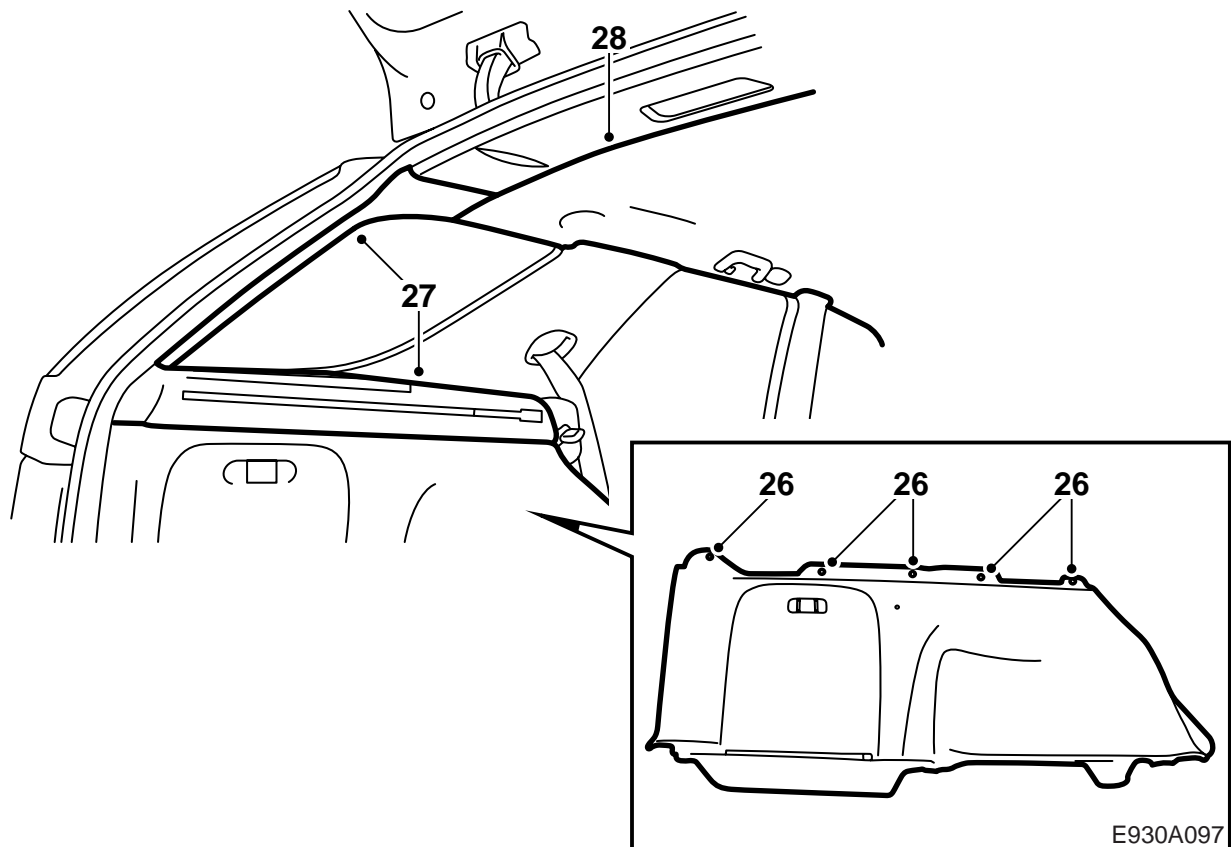
Adjust the length of the wiring harness so that it will be possible to disconnect it.

- 20 Secure the wiring harness at suitable locations so that it will not become pinched or damaged.

WARNING

Make sure the wiring harness is not close to sharp objects that could cause a short circuit and it will not become pinched when adjusting the steering wheel.

- 21 Fit the sill scuff plates on the left-hand side.
- 22 **RHD:** Fit the side trim on the centre console.
- 23 Fit the cover panel under the dashboard, alternatively the glove box.
- 24 Refit the ACC unit, alternatively the heating and ventilation panel.



- 25 Fit the acoustic insulation under the left-hand belt reel in the rear seat.
- 26 Position the side trim and connect the CD-changer if one is fitted. Tighten the screws at the top of the side trim.
- 27 Refit the concealing panel support (3 screws) and D-pillar trim.
- 28 Connect the roof lighting and press on the roof cover panel.
- 29 Fit the storage compartment in the floor.
- 30 Fit the sill scuff plate.
- 31 Lift the concealing panel in place.
- 32 Fit the cover panel between the rear left door and the backrest and fold back the rear seat backrest and cushion.